

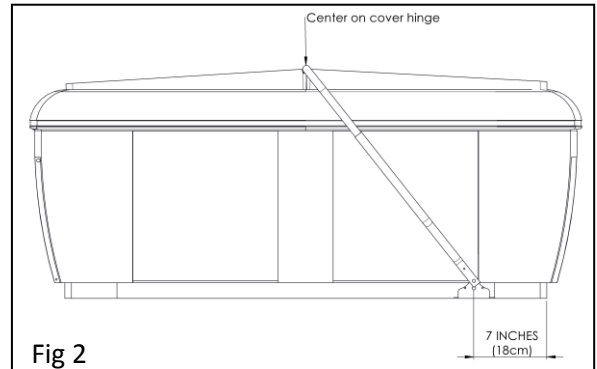
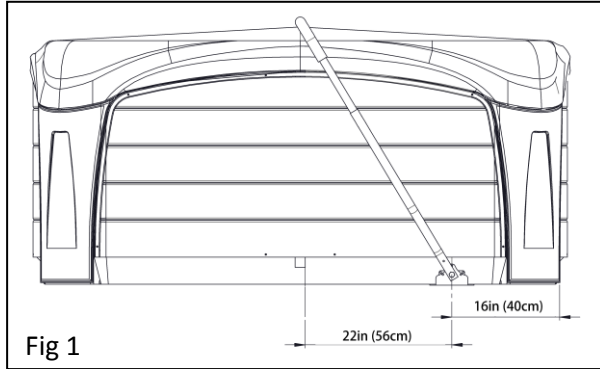
4- #10 Philip pan head screws  
Use 1-1/2 inch for Crossover models or  
use 1 inch on all other models.



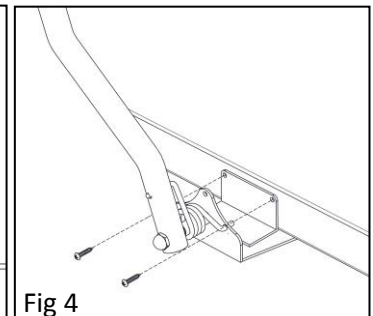
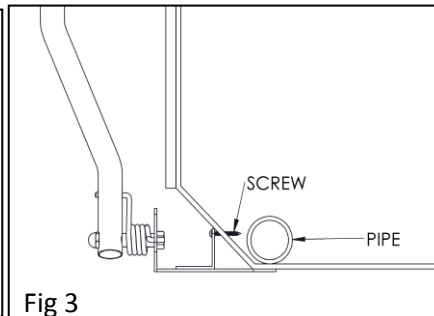
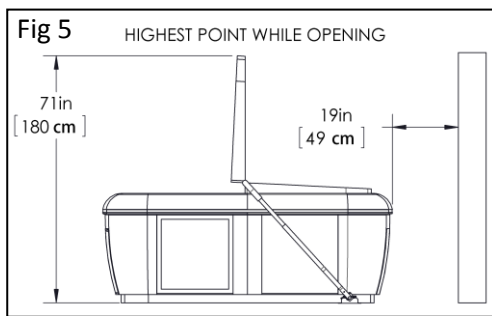
## INSTALLATION INSTRUCTIONS.

Tools needed: power drill, #2 Philips screw driver bit (6 inches or longer preferred), and measuring tool.

1. For your lifter to operate, the spa must be a minimum of 19 inches (49cm) from the nearest wall and allow at least 71 inches (180cm) above (Fig 5). Place the cover in its proper position on the spa.
2. Crossover models position [16 inches (40cm) from corner or 22 inches (56cm) from center, whichever you find easiest to measure (Fig 1). All other models place the center of the left base bracket about 7 inches (18cm) from the lower corner of the spa and slide under the spa (Fig 2). For



3. While lifting the tube connected to the base bracket, slide the short end of a support tube into the base bracket tube. Rest the long end of the support tube on the center of the cover hinge.
4. Slide the connect tube over the support tube which is lying on the cover hinge.
5. Slide the long end of other support tube into the connect tube. Then slide the sort end into the tube on the right base bracket. At the same time, slide the support tube farther into the connect tube while sliding the right base bracket's foot under the spa.
6. Fasten screws in this order:
  - a. Center the connect tube on the cover hinge, with the holes facing up. Make sure the base brackets are under the spa and are the correct location. Drill 6 #10 hex head self-drilling screws through the holes in the connect tube and into the support tube.
  - b. Drill 6 #10 hex head self-drilling screws through the holes in the base bracket tube into the support tube.
  - c. **Caution.** Before performing this step on Crossover models, remove the panels above both base brackets and assure the screws do not thread into any of the plumbing inside the spa (Fig 3). Fasten the left and right base brackets to the spa (Fig 4). Crossover models use the four #10 x 1-1/2 inch Philip pan head screws, all other models use the four #10 x 1inch Philip pan head screws.



How to use the cover lift.

